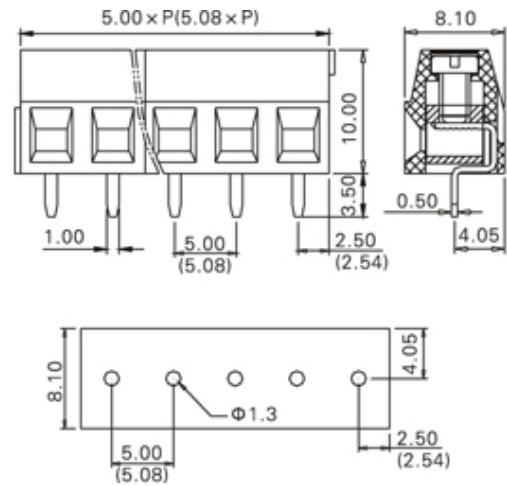




# Rising Clamp - Single Row

Range: PCB Terminal Blocks, Connectors and Fuse Holders

Part Number: TL208VT-13PGS



## DESCRIPTION

13 Pole Screw Rising Clamp Wave - through hole Vertical 5mm pitch 10A 300V

*Subject to technical modification without notice.*

*Typographical and other errors do not justify claim for damages.*

## SPECIFICATION

|                           |                                                                       |
|---------------------------|-----------------------------------------------------------------------|
| Type                      | Screw                                                                 |
| Connection Method         | Rising Clamp                                                          |
| Mounting Type             | Wave - through hole                                                   |
| Orientation               | Vertical                                                              |
| Join                      | Interlocking                                                          |
| Pitch (mm)                | 5                                                                     |
| Number of Poles           | 13                                                                    |
| Min Wire Size (Sq mm)     | 0.12                                                                  |
| Max Wire Size (Sq mm)     | 1.5                                                                   |
| Max Current (A)           | 10                                                                    |
| Max Voltage (V)           | 300                                                                   |
| Height (mm)               | 10                                                                    |
| Standard Colour           | Green                                                                 |
| Width (mm)                | 8.1                                                                   |
| Length (mm)               | 65                                                                    |
| Solder Pin Length (mm)    | 3.5                                                                   |
| PCB Hole Diameter (mm)    | 1.3                                                                   |
| Body Material             | PA66 V0                                                               |
| Comments                  | Pole sizes / no of ways not shown, please contact us for availability |
| Min Temperature Rating °C | -40                                                                   |
| Max Temperature Rating °C | 105                                                                   |
| Min Wire Size AWG         | 26                                                                    |
| Max Wire Size AWG         | 16                                                                    |

## INDUSTRY ACCREDITATIONS

