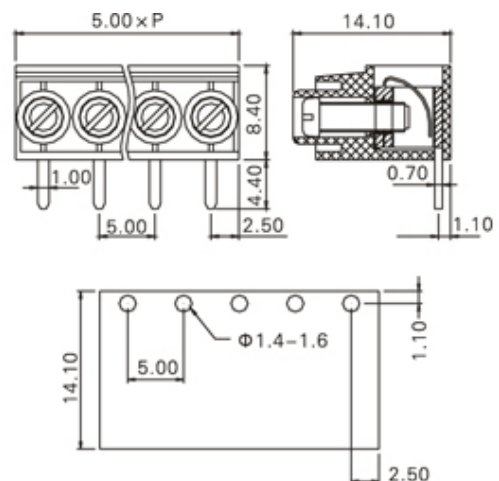
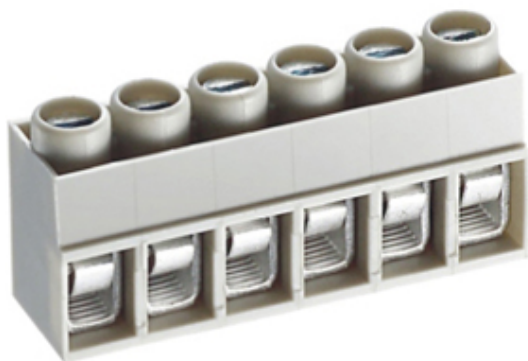




Through Hole Mount/Wire Protected

Range: PCB Terminal Blocks, Connectors and Fuse Holders

Order Code: TL209R-19PBS



DESCRIPTION

19 Pole Screw Wire Protector Wave - through hole Horizontal 5mm pitch 15A 250V

Subject to technical modification without notice.

Typographical and other errors do not justify claim for damages.

SPECIFICATION

| | |
|-------------------------------|---|
| Type | Screw |
| Connection Method | Wire Protector |
| Mounting Type | Wave - through hole |
| Orientation | Horizontal |
| Join | Solid body non stackable |
| Pitch (mm) | 5 |
| Number of Poles | 19 |
| Min Wire Size (Sq mm) | 0.33 |
| Max Wire Size (Sq mm) | 4 |
| Max Current (A) | 15 |
| Max Voltage (V) | 250 |
| Height (mm) | 8.4 |
| Standard Colour | Beige |
| Width (mm) | 14.1 |
| Length (mm) | 95 |
| Solder Pin Length (mm) | 4.4 |
| PCB Hole Diameter (mm) | 1.4-1.6 |
| Body Material | PA66 V0 |
| Comments | Pole sizes / no of ways not shown, please contact us for availability |
| Min Wire Size AWG | 22 |
| Max Wire Size AWG | 12 |
| Terminal Type | Wire protected |