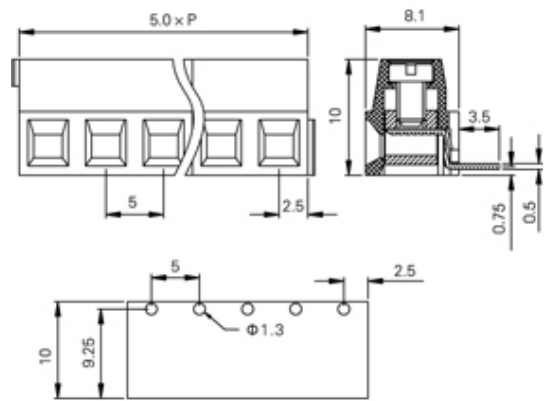
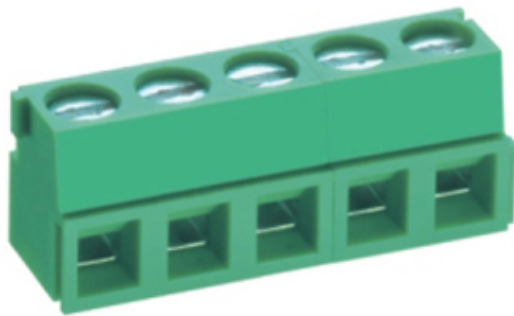




Rising Clamp - Single Row

Range: PCB Terminal Blocks, Connectors and Fuse Holders

Order Code: TL215R-20PGS



DESCRIPTION

20 Pole Screw Rising Clamp Horizontal 5mm pitch 10A(UL) 300V(UL)

Subject to technical modification without notice.

Typographical and other errors do not justify claim for damages.

SPECIFICATION

| | |
|-------------------------------|--------------|
| Type | Screw |
| Connection Method | Rising Clamp |
| Mounting Type | Horizontal |
| Orientation | Horizontal |
| Join | Interlocking |
| Pitch (mm) | 5 |
| Number of Poles | 20 |
| Max Current (A) | 10A(UL) |
| Max Voltage (V) | 300V(UL) |
| Height (mm) | 10 |
| Standard Colour | Green |
| Width (mm) | 8.1 |
| Length (mm) | 100 |
| Solder Pin Length (mm) | 3.5 |
| PCB Hole Diameter (mm) | 1.3 |
| Body Material | PA66 V0 |