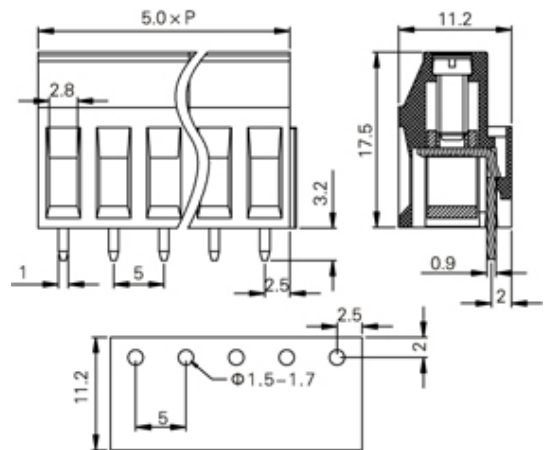




# Rising Clamp - Single Row

Range: PCB Terminal Blocks, Connectors and Fuse Holders

Order Code: TL217V01-13PGS



## DESCRIPTION

13 Pole Screw Rising Clamp Vertical 5mm pitch 20A(UL) 300V(UL)

*Subject to technical modification without notice.  
Typographical and other errors do not justify claim for damages.*

## SPECIFICATION

<b>Type</b>	Screw
<b>Connection Method</b>	Rising Clamp
<b>Mounting Type</b>	Vertical
<b>Orientation</b>	Vertical
<b>Join</b>	Interlocking
<b>Pitch (mm)</b>	5
<b>Number of Poles</b>	13
<b>Max Current (A)</b>	20A(UL)
<b>Max Voltage (V)</b>	300V(UL)
<b>Height (mm)</b>	17.5
<b>Standard Colour</b>	Green
<b>Width (mm)</b>	11.2
<b>Length (mm)</b>	65
<b>Solder Pin Length (mm)</b>	3.2
<b>PCB Hole Diameter (mm)</b>	1.5-1.7
<b>Body Material</b>	PA66 V0