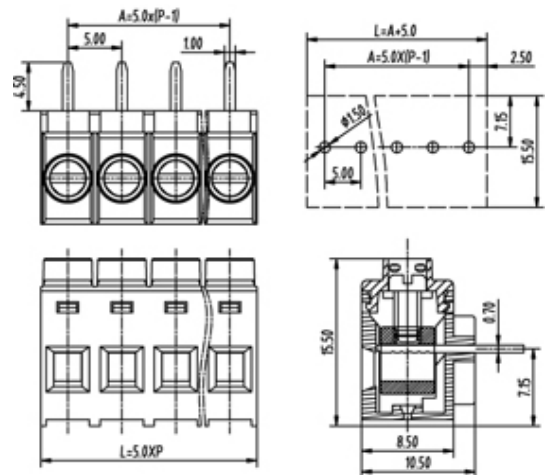




# Rising Clamp - Single Row

Range: PCB Terminal Blocks, Connectors and Fuse Holders

Order Code: TL225R-18PGS



## DESCRIPTION

18 Pole Screw Rising Clamp Horizontal 5mm pitch 16A(UL) 300V(UL)

*Subject to technical modification without notice.*

*Typographical and other errors do not justify claim for damages.*

## SPECIFICATION

|                               |                          |
|-------------------------------|--------------------------|
| <b>Type</b>                   | Screw                    |
| <b>Connection Method</b>      | Rising Clamp             |
| <b>Mounting Type</b>          | Horizontal               |
| <b>Orientation</b>            | Horizontal               |
| <b>Join</b>                   | Solid body non stackable |
| <b>Pitch (mm)</b>             | 5                        |
| <b>Number of Poles</b>        | 18                       |
| <b>Max Current (A)</b>        | 16A(UL)                  |
| <b>Max Voltage (V)</b>        | 300V(UL)                 |
| <b>Height (mm)</b>            | 15.5                     |
| <b>Standard Colour</b>        | Green                    |
| <b>Width (mm)</b>             | 10.5                     |
| <b>Length (mm)</b>            | 90                       |
| <b>Solder Pin Length (mm)</b> | 4.5                      |
| <b>PCB Hole Diameter (mm)</b> | 1.5                      |
| <b>Body Material</b>          | PA66 V0                  |