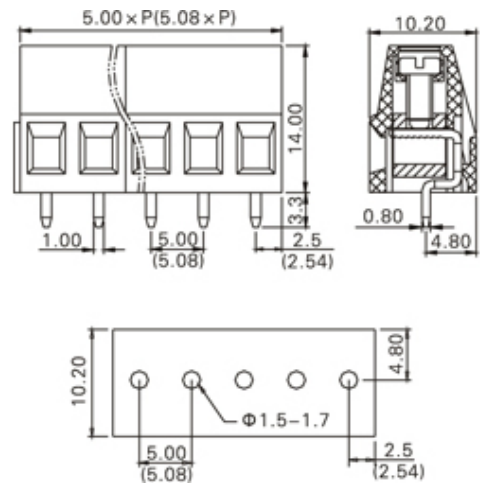




# Rising Clamp - Single Row

Range: PCB Terminal Blocks, Connectors and Fuse Holders

Part Number: TL306V-06PGS



## DESCRIPTION

6 Pole Screw Rising Clamp Wave - through hole Vertical 5.08mm pitch 12A 250V

*Subject to technical modification without notice.*

*Typographical and other errors do not justify claim for damages.*

## SPECIFICATION

|                           |   |
|---------------------------|---|
| Type                      | Screw   |
| Connection Method         | Rising Clamp  |
| Mounting Type             | Wave - through hole   |
| Orientation               | Vertical  |
| Join                      | Interlocking  |
| Pitch (mm)                | 5.08  |
| Number of Poles           | 6   |
| Min Wire Size (Sq mm)     | 0.25  |
| Max Wire Size (Sq mm)     | 2.5   |
| Max Current (A)           | 12  |
| Max Voltage (V)           | 250   |
| Height (mm)               | 14.6  |
| Standard Colour           | Green   |
| Width (mm)                | 10.2  |
| Length (mm)               | 30.48   |
| Solder Pin Length (mm)    | 3.3   |
| PCB Hole Diameter (mm)    | 1.5-1.7   |
| Body Material             | PA66 V0   |
| Comments                  | Pole sizes / no of ways not shown, please contact us for availability |
| Min Temperature Rating °C | -40   |
| Max Temperature Rating °C | 105   |
| Min Wire Size AWG         | 24  |
| Max Wire Size AWG         | 12  |

## INDUSTRY ACCREDITATIONS

