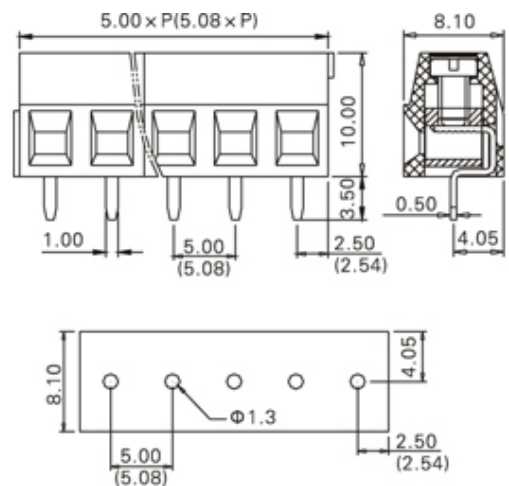
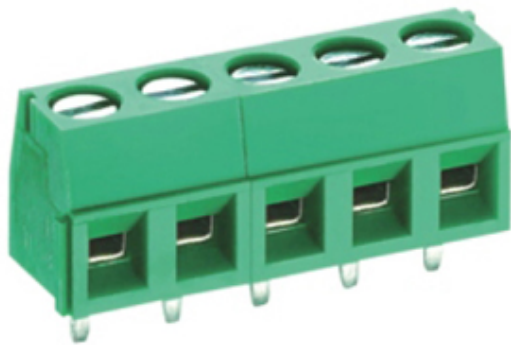




# Rising Clamp - Single Row

Range: PCB Terminal Blocks, Connectors and Fuse Holders

Part Number: TL208VT-12P5GS



## DESCRIPTION

12 (IOI) Pole Screw Rising Clamp Wave - through hole Vertical 10mm pitch 10A(UL) 150V(UL)

*Subject to technical modification without notice.*

*Typographical and other errors do not justify claim for damages.*

## SPECIFICATION

|                                  |   |
|----------------------------------|---|
| <b>Type</b>                      | Screw   |
| <b>Connection Method</b>         | Rising Clamp  |
| <b>Mounting Type</b>             | Wave - through hole   |
| <b>Orientation</b>               | Vertical  |
| <b>Join</b>                      | Interlocking  |
| <b>Pitch (mm)</b>                | 10  |
| <b>Number of Poles</b>           | 12 (IOI)  |
| <b>Min Wire Size (Sq mm)</b>     | 0.12  |
| <b>Max Wire Size (Sq mm)</b>     | 1.5   |
| <b>Max Current (A)</b>           | 10A(UL)   |
| <b>Max Voltage (V)</b>           | 150V(UL)  |
| <b>Height (mm)</b>               | 10  |
| <b>Standard Colour</b>           | Green   |
| <b>Width (mm)</b>                | 8.1   |
| <b>Length (mm)</b>               | 115   |
| <b>Solder Pin Length (mm)</b>    | 3.5   |
| <b>PCB Hole Diameter (mm)</b>    | 1.3   |
| <b>Body Material</b>             | PA66 V0   |
| <b>Comments</b>                  | Pole sizes / no of ways not shown, please contact us for availability |
| <b>Min Temperature Rating °C</b> | -40   |
| <b>Max Temperature Rating °C</b> | 105   |
| <b>Min Wire Size AWG</b>         | 26  |
| <b>Max Wire Size AWG</b>         | 16  |

## INDUSTRY ACCREDITATIONS

