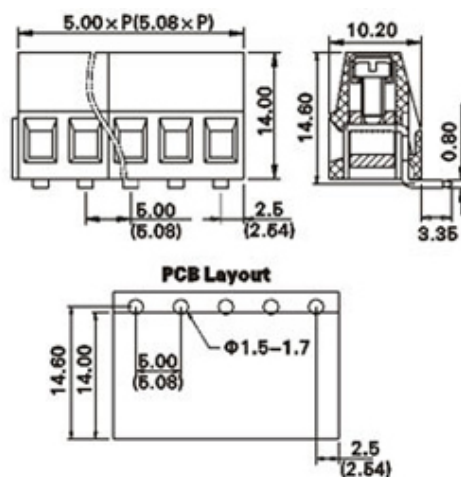




# Rising Clamp - Single Row

Range: PCB Terminal Blocks, Connectors and Fuse Holders

Part Number: TL306R-05P5GS



## DESCRIPTION

5 (IOI) Pole Screw Rising Clamp Wave - through hole Horizontal 10.16mm pitch 20A(UL) 12A(VDE) 300V(UL) 250V(VDE)

*Subject to technical modification without notice.*

*Typographical and other errors do not justify claim for damages.*

## SPECIFICATION

|                                  |   |
|----------------------------------|---|
| <b>Type</b>                      | Screw   |
| <b>Connection Method</b>         | Rising Clamp  |
| <b>Mounting Type</b>             | Wave - through hole   |
| <b>Orientation</b>               | Horizontal  |
| <b>Join</b>                      | Interlocking  |
| <b>Pitch (mm)</b>                | 10.16   |
| <b>Number of Poles</b>           | 5 (IOI)   |
| <b>Min Wire Size (Sq mm)</b>     | 0.25  |
| <b>Max Wire Size (Sq mm)</b>     | 2.5   |
| <b>Max Current (A)</b>           | 20A(UL) 12A(VDE)  |
| <b>Max Voltage (V)</b>           | 300V(UL) 250V(VDE)  |
| <b>Height (mm)</b>               | 10.2  |
| <b>Standard Colour</b>           | Green   |
| <b>Width (mm)</b>                | 14.6  |
| <b>Length (mm)</b>               | 45.68   |
| <b>Solder Pin Length (mm)</b>    | 3.35  |
| <b>PCB Hole Diameter (mm)</b>    | 1.5-1.7   |
| <b>Body Material</b>             | PA66 V0   |
| <b>Comments</b>                  | Pole sizes / no of ways not shown, please contact us for availability |
| <b>Min Temperature Rating °C</b> | -40   |
| <b>Max Temperature Rating °C</b> | 105   |
| <b>Min Wire Size AWG</b>         | 24  |
| <b>Max Wire Size AWG</b>         | 12  |

## INDUSTRY ACCREDITATIONS

