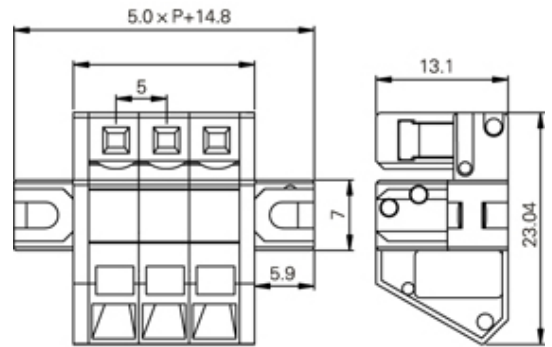




Screwless - Push Wire

Range: PCB Terminal Blocks, Connectors and Fuse Holders

Part Number: TLM204-22P



DESCRIPTION

22 Pole Spring - Screwless Tool operated 5mm pitch 15A 300V

*Subject to technical modification without notice.
Typographical and other errors do not justify claim for damages.*

SPECIFICATION

| | |
|--------------------------|--------------------------|
| Type | Spring - Screwless |
| Connection Method | Tool operated |
| Join | Solid body non stackable |
| Pitch (mm) | 5 |
| Number of Poles | 22 |
| Max Current (A) | 15 |
| Max Voltage (V) | 300 |
| Height (mm) | 23.04 |
| Standard Colour | grey |
| Width (mm) | 13.1 |
| Length (mm) | 124.8 |
| Body Material | PA66 V0 |