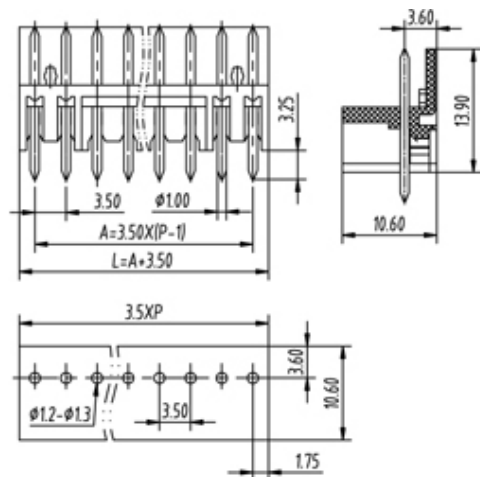




Pluggable Pin Header (Male) - Single Row PCB Header

Range: PCB Terminal Blocks, Connectors and Fuse Holders

Part Number: TL007P-05PK



DESCRIPTION

5 Pole Pin header Vertical 3.5mm pitch 10A 300V

Subject to technical modification without notice.

Typographical and other errors do not justify claim for damages.

SPECIFICATION

Connection Method	Pin header
Mounting Type	Vertical
Orientation	Vertical
Join	Solid body non stackable
Pitch (mm)	3.5
Number of Poles	5
Max Current (A)	10
Max Voltage (V)	300
Height (mm)	13.9
Standard Colour	Black
Width (mm)	10.6
Length (mm)	17.5
Solder Pin Length (mm)	3.25
PCB Hole Diameter (mm)	1.2-1.3
Body Material	PA66 V0
Min Temperature Rating °C	-40
Max Temperature Rating °C	125