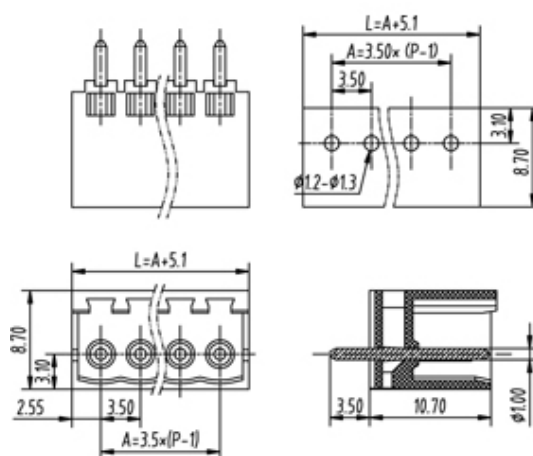
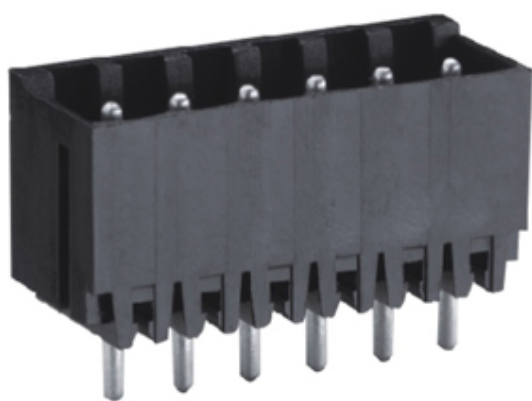




Pluggable Pin Header (Male) - Single Row PCB Header

Range: PCB Terminal Blocks, Connectors and Fuse Holders

Order Code: TLPHC-003V-14P



DESCRIPTION

14 Pole Pluggable type Vertical 3.5mm pitch 10A 300V

Subject to technical modification without notice.

Typographical and other errors do not justify claim for damages.

SPECIFICATION

Connection Method	Pluggable type
Mounting Type	Vertical
Orientation	Vertical
Join	Solid body non stackable
Pitch (mm)	3.5
Number of Poles	14
Max Current (A)	10
Max Voltage (V)	300
Height (mm)	10.7
Standard Colour	Black
Width (mm)	8.7
Length (mm)	50.6
Solder Pin Length (mm)	3.5
PCB Hole Diameter (mm)	1.2-1.3
Body Material	PA66 V0