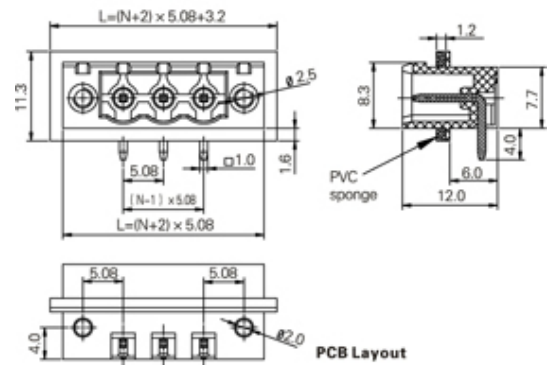




# Pluggable Pin Header (Male) - Single Row PCB Header

Range: PCB Terminal Blocks, Connectors and Fuse Holders

Part Number: TLPHW-300R-0544-02P



## DESCRIPTION

2 Pole Pluggable type Horizontal 5.08mm pitch 15A 300V

*Subject to technical modification without notice.*

*Typographical and other errors do not justify claim for damages.*

## SPECIFICATION

<b>Connection Method</b>	Pluggable type
<b>Mounting Type</b>	Horizontal
<b>Orientation</b>	Horizontal
<b>Join</b>	Solid body non stackable
<b>Pitch (mm)</b>	5.08
<b>Open/Closed/Screw/Flange</b>	Screw Flange
<b>Number of Poles</b>	2
<b>Max Current (A)</b>	15
<b>Max Voltage (V)</b>	300
<b>Height (mm)</b>	11.3
<b>Standard Colour</b>	GREEN
<b>Width (mm)</b>	12
<b>Length (mm)</b>	13.36
<b>Solder Pin Length (mm)</b>	4
<b>PCB Hole Diameter (mm)</b>	2
<b>Body Material</b>	PA66 V0