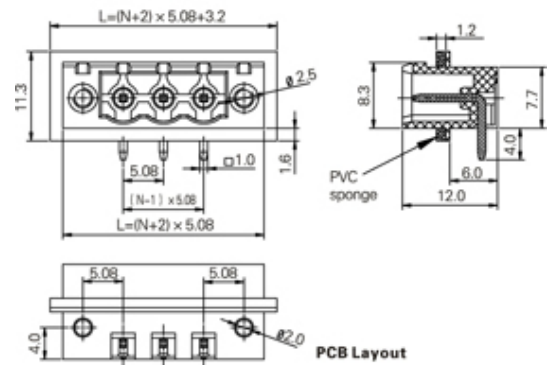




Pluggable Pin Header (Male) - Single Row PCB Header

Range: PCB Terminal Blocks, Connectors and Fuse Holders

Part Number: TLPHW-300R-0544-21P



DESCRIPTION

21 Pole Pluggable type Horizontal 5.08mm pitch 15A 300V

*Subject to technical modification without notice.
Typographical and other errors do not justify claim for damages.*

SPECIFICATION

Connection Method	Pluggable type
Mounting Type	Horizontal
Orientation	Horizontal
Join	Solid body non stackable
Pitch (mm)	5.08
Number of Poles	21
Max Current (A)	15
Max Voltage (V)	300
Height (mm)	11.3
Standard Colour	GREEN
Width (mm)	12
Length (mm)	109.88
Solder Pin Length (mm)	4
PCB Hole Diameter (mm)	2
Body Material	PA66 V0