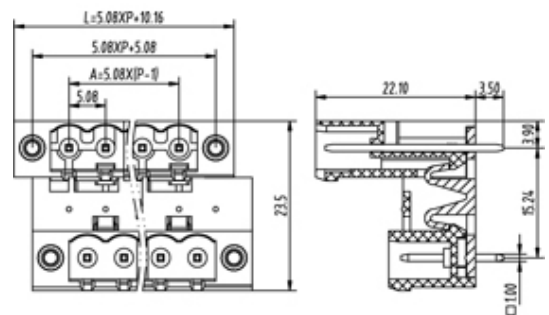
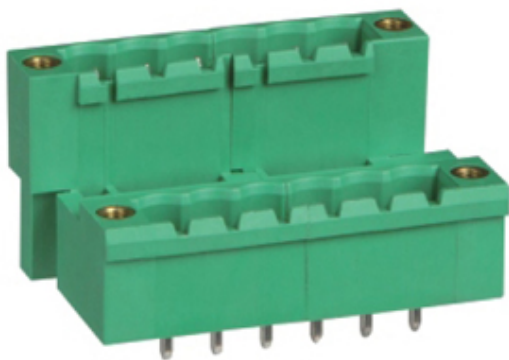




# Pluggable Pin Header (Male) - Double Decker PCB Header

Range: PCB Terminal Blocks, Connectors and Fuse Holders

Part Number: TLPHDW-303V-42P



## DESCRIPTION

42 Pole Pluggable type Vertical 5.08mm pitch 16A 300V

*Subject to technical modification without notice.*

*Typographical and other errors do not justify claim for damages.*

## SPECIFICATION

|                               |                          |
|-------------------------------|--------------------------|
| <b>Connection Method</b>      | Pluggable type           |
| <b>Mounting Type</b>          | Vertical                 |
| <b>Orientation</b>            | Vertical                 |
| <b>Join</b>                   | Solid body non stackable |
| <b>Pitch (mm)</b>             | 5.08                     |
| <b>Number of Poles</b>        | 42                       |
| <b>Max Current (A)</b>        | 16                       |
| <b>Max Voltage (V)</b>        | 300                      |
| <b>Height (mm)</b>            | 23.5                     |
| <b>Standard Colour</b>        | GREEN                    |
| <b>Width (mm)</b>             | 22.1                     |
| <b>Length (mm)</b>            | 119.38                   |
| <b>Solder Pin Length (mm)</b> | 3.5                      |
| <b>Body Material</b>          | PA66 V0                  |