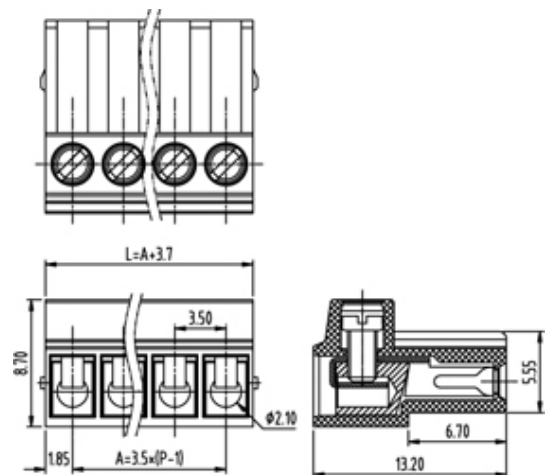


Pluggable Cable Mounting - Pluggable (Female)

Range: PCB Terminal Blocks, Connectors and Fuse Holders

Part Number: TLPS-003-04P



DESCRIPTION

4 Pole Pluggable type Horizontal 3.5mm pitch 10A(UL) 300V(UL)

Subject to technical modification without notice.

Typographical and other errors do not justify claim for damages.

SPECIFICATION

| | |
|--------------------------|--------------------------|
| Connection Method | Pluggable type |
| Mounting Type | Horizontal |
| Orientation | Horizontal |
| Join | Solid body non stackable |
| Pitch (mm) | 3.5 |
| Number of Poles | 4 |
| Max Current (A) | 10A(UL) |
| Max Voltage (V) | 300V(UL) |
| Height (mm) | 8.7 |
| Standard Colour | Black |
| Width (mm) | 13.2 |
| Length (mm) | 14.2 |
| Body Material | PA66 V0 |