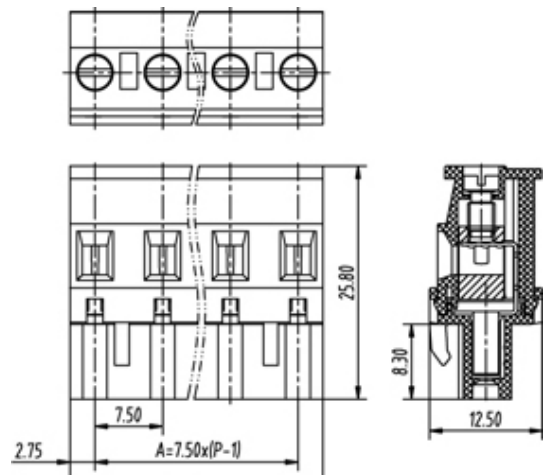




Pluggable Cable Mounting - Pluggable (Female)

Range: PCB Terminal Blocks, Connectors and Fuse Holders

Order Code: TLPS-400R-22P



DESCRIPTION

22 Pole Pluggable type Vertical 7.5mm pitch 16A(UL) 300V(UL)

Subject to technical modification without notice.

Typographical and other errors do not justify claim for damages.

SPECIFICATION

| | |
|--------------------------|--------------------------|
| Connection Method | Pluggable type |
| Mounting Type | Vertical |
| Orientation | Vertical |
| Join | Solid body non stackable |
| Pitch (mm) | 7.5 |
| Number of Poles | 22 |
| Max Current (A) | 16A(UL) |
| Max Voltage (V) | 300V(UL) |
| Height (mm) | 25.8 |
| Width (mm) | 12.5 |
| Length (mm) | 163 |
| Body Material | PA66 V0 |