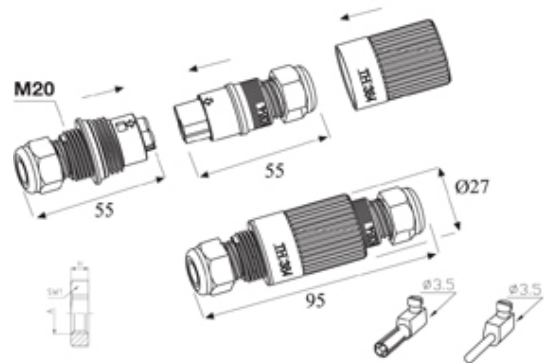


THK.384.03

TeePlug and Powersocket 3 pole Screw terminal 7mm to 12mm cable diameter, 4 mm max conductor size IP66-68 17A 400V 1 cable entry and Hexagonal locknut PA/SW M20X1,5 thread length M20x1.5 Body - Polyamide PA6 GF30



SPECIFICATION

Type	Socket
Cable Entries	1
Number of Poles	3
Terminal Type	Screw
Body Material	PA66
IP Rating	66-68
Max Conductor Size (Sq mm)	4
Max Current (A)	17
Max Voltage (V)	400
Min Temperature Rating °C	-40
Max Temperature Rating °C	125
Minimum Cable Diameter (mm)	7
Maximum Cable Diameter (mm)	12
Fixing System	Cable
Length (mm)	55
Temperature "T" Rating	T85

DISTRIBUTORS

