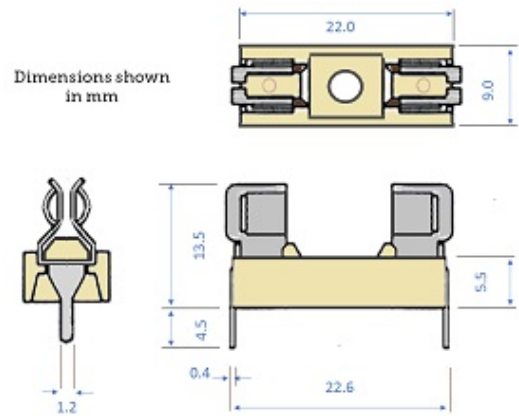




# Fuse Holders

Range: PCB Terminal Blocks, Connectors and Fuse Holders

Order Code: CFH-POA-22.60I-NA (DFHN02)



## DESCRIPTION

Fuse Holder - Please contact us for availability of this product

## PCB TERMINAL BLOCKS, CONNECTORS AND FUSE HOLDERS FEATURES

- Through Hole Technology
- Vertical Orientation
- Material Type - PA66 Glass Filled (UL94V-0)
- Transparent Insulation Cover DFH02H
- UL94-V2 Cover Polycarbonate
- Rating: 6.3A @ 250VAC
- 22.6mm Pitch
- Please contact us for availability of this product

*Subject to technical modification without notice.*

*Typographical and other errors do not justify claim for damages.*

## SPECIFICATION

<b>Type</b>	PCB Fuse Holder
<b>Pitch (mm)</b>	22.6
<b>Max Current (A)</b>	6.3A
<b>Max Voltage (V)</b>	250V
<b>Standard Colour</b>	Brown
<b>Width (mm)</b>	9
<b>Length (mm)</b>	22
<b>Body Material</b>	UL94V-0 Flame Retardant PA
<b>Fuse Size (mm)</b>	5 x 20