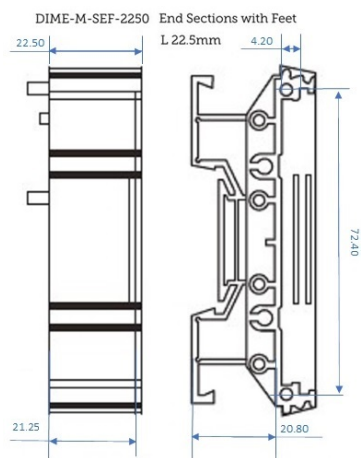
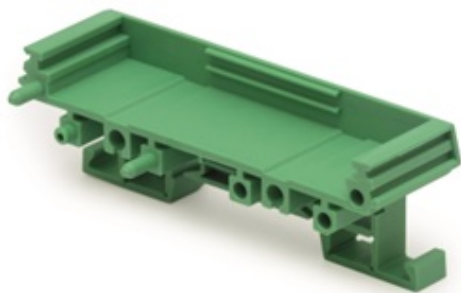


DIN Rail 72mm Supports

Range: DIN Rail Enclosures and Accessories

Order Code: DIME-M-SEF-2250



DESCRIPTION

DIN Rail 72mm Supports - 22.5mm End Section with Feet

DIN RAIL ENCLOSURES AND ACCESSORIES FEATURES

- Suitable for 72mm width PCB's
- Modular construction for easy assembly
- Snap-fit DIN Rail mounting fixtures
- Flame retardent green Polyamide 66 UL 94V0
- DIME/M SERIES
- Terminal blocks available in same colour
- Integral marker facility
- Length 22.5mm

Subject to technical modification without notice.

Typographical and other errors do not justify claim for damages.

ADDITIONAL INFORMATION

The table below shows the minimum number of parts required to mount PCB's, of lengths from 20mm to 177.5mm, to rails. For longer PCB's add additional base elements as required. Actual usage depends on the total length and, to an extent, weight of the assembled PCB. Additional feet may be required.

Side elements with integrated feet are only for top hat rail.

The separate feet (DIME-M-FS-5000) fit both G and top hat rail and can be used with both styles of end section.

For supports with integral feet

Adding foot elements*

Par No	DIME-M-	SEF-1125	SEF-2250	BE-1125	BE-2250	BE-4500	Total PCB Length	Total Parts	FS-5000	Total Parts
		10	21.25	11.25	22.50	45				
		2					20	2	2	4
		1	1				31.25	2	2	4
			2				42.5	2	2	4
			2	1			53.75	3	2	5
			2		1		65	3	2	5
		1	1			1	76.25	3	2	5
			2			1	87.5	3	2	5
			2	1		1	98.25	4	2	6
			2		1	1	110	4	2	6
		1	1			2	121.25	4	2	6
			2			2	132.5	4	2	6
			2	1		2	143.75	5	2	7
			2		1	2	155	5	2	7
		1	1			3	166.25	5	2	7
			2			3	177.5	5	2	7

* For supports without integral feet, substitute DIME-M-SE-1125 and DIME-M-SE-2250 for DIME-M-SEF-1125 and DIME-M-SEF-2250, and add the foot section DIME-M-FS-5000