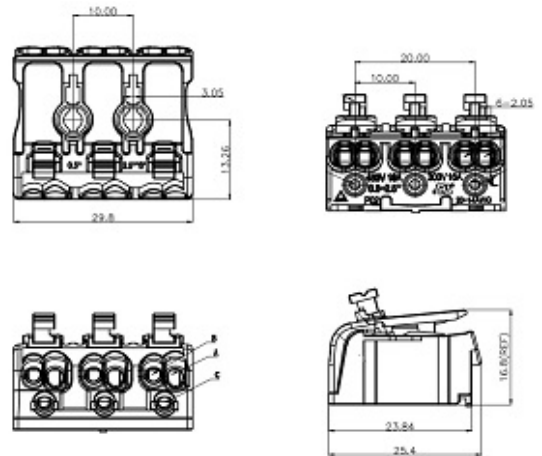




Screwless - Push Wire

Range: PCB Terminal Blocks, Connectors and Fuse Holders

Part Number: HYP02-3P



DESCRIPTION

Screwless terminal block, double click

Subject to technical modification without notice.

Typographical and other errors do not justify claim for damages.

SPECIFICATION

Type	Screwless Terminal Block
Number of Poles	3
Max Current (A)	16
Max Voltage (V)	450 AC/DC
Height (mm)	16.8
Standard Colour	White
Width (mm)	25.4
Length (mm)	29.8
Contacts Material	Brass & Steel
Body Material	Polyamide 66 ULV-0
Min Temperature Rating °C	-40
Max Temperature Rating °C	+85
Min Wire Size AWG	20
Max Wire Size AWG	11