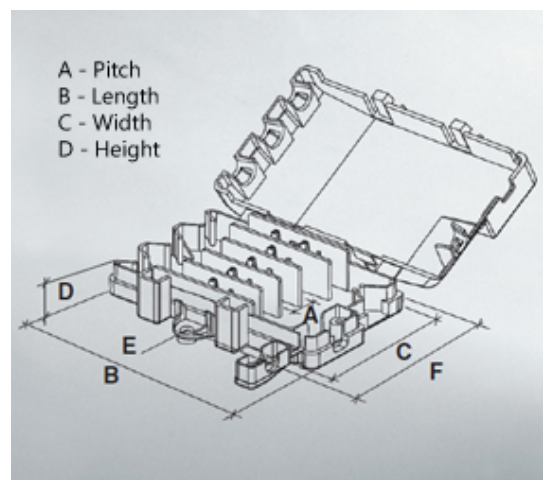
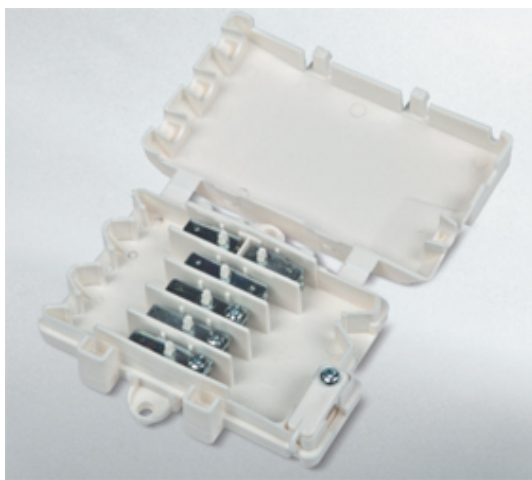




Chassis/Panel Mount Tml/Boxes

Range: Emech Terminals/Accessories

Order Code: CCB-PTB-S12-B06 (HY650 NY S)



DESCRIPTION

6 pole polypropylene terminal box with integrated cable clamp and internal screw-to-tap and/or tab-to-tab terminals, 12mm pitch, 17.5A, 450v

Subject to technical modification without notice.

Typographical and other errors do not justify claim for damages.

SPECIFICATION

Number of Poles	6
Tab Size (mm)	6.3x0.8
Terminal Material	Zinc plated high resistance steel
Body Material	Polypropylene
UL94 Rating	UL94V2
Max Conductor Size (Sq mm)	1.5
Max Current (A)	17.5
Max Voltage (V)	450
Pitch (mm)	12
Height (mm)	21.5
Width (mm)	66
Length (mm)	115
Diameter (mm)	5.5
Flammability Rating	UL94V2 and GWIT775Å°C

INDUSTRY ACCREDITATIONS

