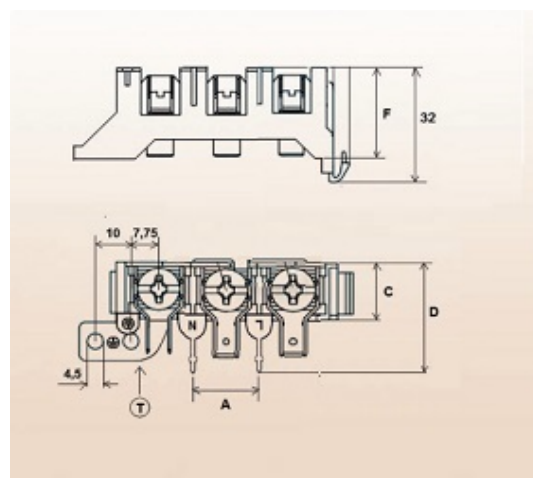




Screw to Tab Terminal Blocks

Range: Emech Terminals/Accessories

Part Number: HY280/3G



DESCRIPTION

3 Pole screw to tab terminal block with screw fixing plus ground plate

Subject to technical modification without notice.

Typographical and other errors do not justify claim for damages.

SPECIFICATION

Number of Poles	3
Tabs Per Pole	3
Tab Size (mm)	6.3x0.8
Terminal Material	Zinc-plated steel
Body Material	Polyamide, glass fibre reinforced
UL94 Rating	UL94V0
Max Conductor Size (Sq mm)	6
Min Conductor Size AWG	22
Max Conductor Size AWG	8
Max Current (A)	57
Max Voltage (V)	450
Max Temperature Rating °C	150
Pitch (mm)	18
Height (mm)	25
Width (mm)	30.2
Length (mm)	82
Comments	With Screw Fixing plus Ground Plate

INDUSTRY ACCREDITATIONS

