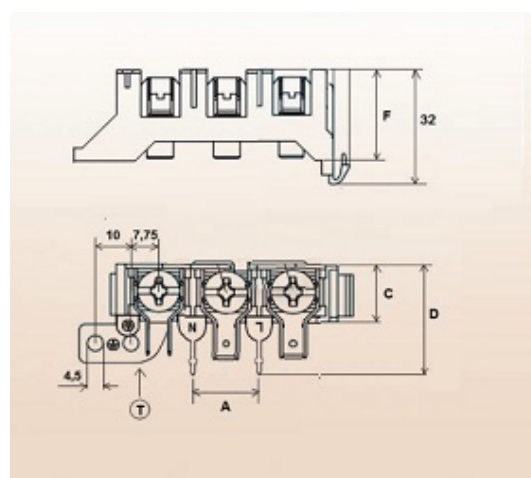




# Screw to Tab Terminal Blocks

## Range: Emech Terminals/Accessories

Order Code: CTB-SFP-S18-B03 (HY280/3G)



### DESCRIPTION

3 Pole screw to tab terminal block with screw fixing plus ground plate

*Subject to technical modification without notice.*

*Typographical and other errors do not justify claim for damages.*

## SPECIFICATION

<b>Number of Poles</b>	3
<b>Tabs Per Pole</b>	3
<b>Tab Size (mm)</b>	6.3x0.8
<b>Terminal Material</b>	Zinc-plated steel
<b>Body Material</b>	Polyamide, glass fibre reinforced
<b>UL94 Rating</b>	UL94V0
<b>Max Conductor Size (Sq mm)</b>	6
<b>Min Conductor Size AWG</b>	22
<b>Max Conductor Size AWG</b>	8
<b>Max Current (A)</b>	57
<b>Max Voltage (V)</b>	450
<b>Max Temperature Rating °C</b>	150
<b>Pitch (mm)</b>	18
<b>Height (mm)</b>	25
<b>Width (mm)</b>	30.2
<b>Length (mm)</b>	82
<b>Comments</b>	With Screw Fixing plus Ground Plate

## INDUSTRY ACCREDITATIONS

