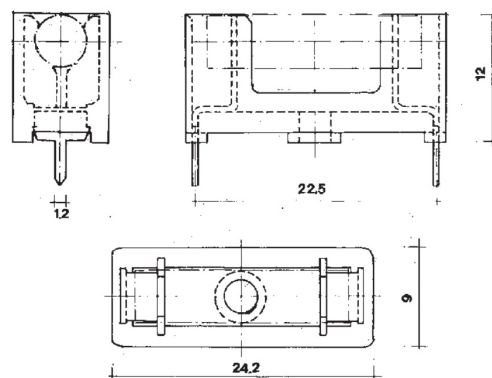
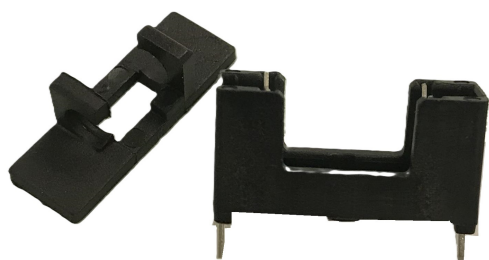




Fuse Holders

Range: PCB Terminal Blocks, Connectors and Fuse Holders

Order Code: FHC/F30



DESCRIPTION

Semi Enclosed PCB Fuse Holder – Insulated fuse carrier and retainer with finger proof, enclosed contacts, PCB Mounting with 22.5mm pin pitch, with Semi Enclosed PCB Fuse Cover

Subject to technical modification without notice.

Typographical and other errors do not justify claim for damages.

SPECIFICATION

Type	PCB Fuse Holder
Pitch (mm)	22.5
Max Current (A)	6.3
Max Voltage (V)	250
Height (mm)	12
Standard Colour	Black
Width (mm)	9
Length (mm)	24.2
Contacts Material	CnZn37+NI+Sn
Power Dissipation (w)	1.6W
Body Material	UL94V-0 Flame Retardant PA
Fuse Holder Style	Semi Enclosed
Fuse Size (mm)	5 x 20

INDUSTRY ACCREDITATIONS



ADDITIONAL INFORMATION

