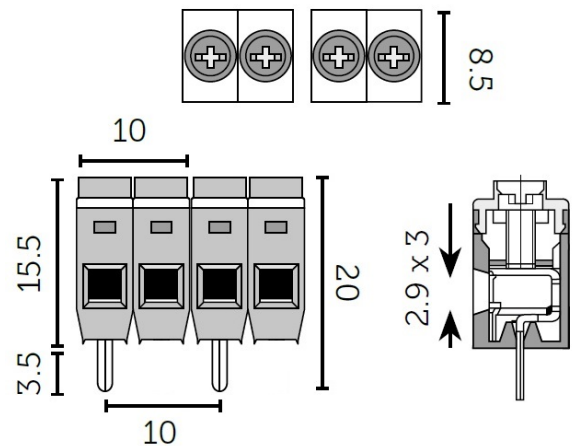


Rising Clamp - Single Row

Range: PCB Terminal Blocks, Connectors and Fuse Holders

Part Number: DTBN8001/18



DESCRIPTION

18 Pole PCB Terminal Block. Professional rising clamp terminals, Rating 24A/250V, this 18 pole connector block can be easily cut into sections, to suit your requirements.

PCB TERMINAL BLOCKS, CONNECTORS AND FUSE HOLDERS FEATURES

- 10mm pitch
- 22A rating
- PCB mounting, 1 row
- Rising clamp termination
- Moulded in grey flame retardant UL94V-0 Lexan
- 4mm sq cable entry
- Guided pin alignment
- Captive screws
- Anti solder wicking terminals

Subject to technical modification without notice.

Typographical and other errors do not justify claim for damages.

SPECIFICATION

Type	18 POLE PCB Terminal Blocks
Connection Method	Rising clamp – Steel, zinc plated
Min Wire Size (Sq mm)	0.2
Max Wire Size (Sq mm)	3.6
Max Current (A)	24
Max Voltage (V)	250
Height (mm)	20
Standard Colour	Grey
Width (mm)	8.5
Length (mm)	180
PCB Hole Diameter (mm)	1.3
Dielectric Strength	≥2.5kV
PCB Hole Size (Recommended) (mm)	3.5
Approvals Pending	UL

INDUSTRY ACCREDITATIONS



ADDITIONAL INFORMATION

