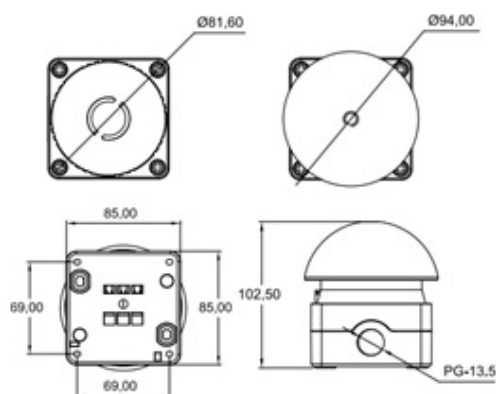


Palm/Foot Switches

Range: Control Stations

Order Code: SFP-EAL-2A1B-RD



DESCRIPTION

Latching palm/foot switch, Red Button. Push to stop/start - twist to reset

CONTROL STATIONS FEATURES

- Customised control station service available - please ask for details.
- Insulation resistance - >100M Ω @ 500VDC
- Enclosures sealed up to IP66
- Dust & waterproof for short-term submersion
- 2 contact blocks fitted as standard
- Different voltage ratings are available
- Contact material - Silver Bifurcated and serrated
- Operating Temperature -20 to +50°C
- Contact rating - AC12 Resistive / AC15 Electromagnetic - 240V (3A) / 415V (1.5A)
- Mechanical life - 1 million operations
- Contact Block UL and TUV rated

Features may vary by product throughout the range.

Subject to technical modification without notice.

Typographical and other errors do not justify claim for damages.

SPECIFICATION

Base Colour	Yellow/Black
Base Style	Standard base
Depth (mm)	102.5
Enclosure Material	ABS-UL94-HB
Height (mm)	85
IP Rating	IP66
Lid Colour	Yellow
Min Temperature Rating °C	-20
Max Temperature Rating °C	50
Number of Switches	1
Size (mm)	85x85x102.5
Switch 1 Style	Red push button non-illuminated
Switch 1 Substyle	Palm/foot
Width (mm)	85