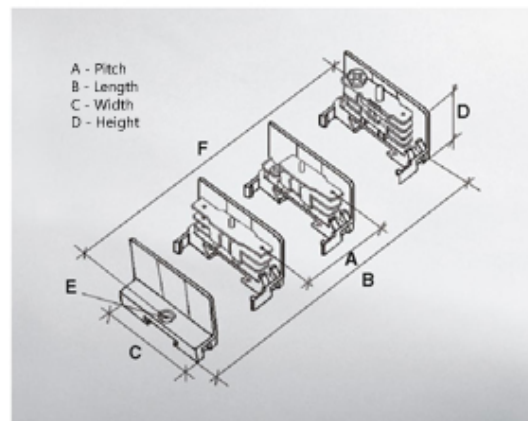
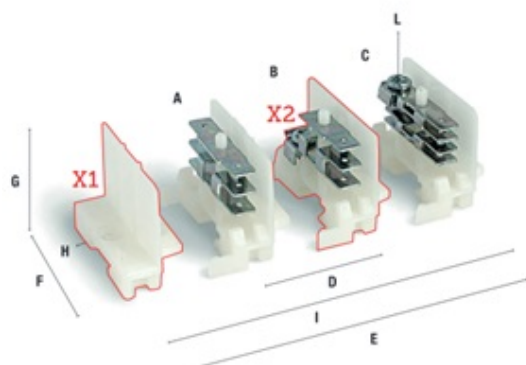




Tab to Tab Terminal Blocks

Range: Emech Terminals/Accessories

Order Code: CTB-TTB-S11-C02 (HY508/2 V/3F)



DESCRIPTION

Interlockable pole polyamide pa6.6 tab to tab terminal block 11mm pitch, comprising component H x 1 plus B x 2

Subject to technical modification without notice.

Typographical and other errors do not justify claim for damages.

SPECIFICATION

Number of Poles	Interlockable
Tab Size (mm)	6.3x0.8
Terminal Material	Copper and nickel plated steel
Terminal Type	x2 B (3 Tabs + Screw) x1 H
Body Material	Polyamide PA6.6
Colour	White
UL94 Rating	UL94V2
Max Conductor Size (Sq mm)	2.5
Max Current (A)	24
Max Voltage (V)	450
Max Temperature Rating °C	110
Pitch (mm)	11
Height (mm)	29
Width (mm)	38
Length (mm)	19.2 + (Poles x 11)
Flammability Rating	UL94-V2
Terminal Screw Material	White Zinc Plated Steel

INDUSTRY ACCREDITATIONS

