

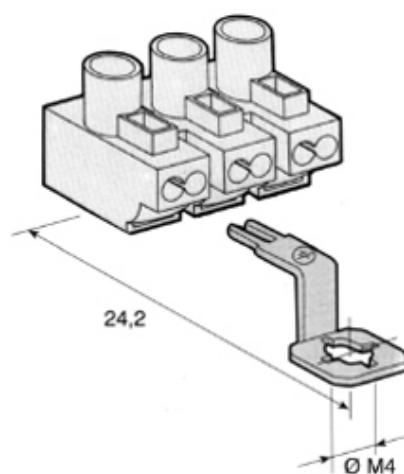


# Accessories

## Range: Emech Terminals/Accessories

Order Code: LTPA239

---



### DESCRIPTION

Push-in grounding plate for pa239 terminal block

*Subject to technical modification without notice.*

*Typographical and other errors do not justify claim for damages.*

## SPECIFICATION

<b>Body Material</b>	Zinc plated steel
<b>Comments</b>	Terminal block not included