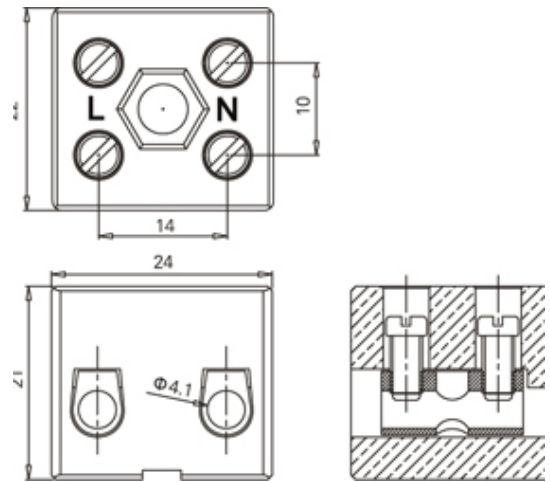


# Steatite Ceramic High Temp. Blocks

Range: Emech Terminals/Accessories

Part Number: DESTB-0402



## DESCRIPTION

2 Pole steatite ceramic high temperature blocks terminal 41a  
750v

## EMECH TERMINALS/ACCESSORIES FEATURES

- Chemical Resistance
- Non-Flammability
- Heat resistance
- Dimensional stability up to 800°C
- Corrosion resistance
- Temp Rating of -40°C to +300-350°C
- Max Voltage 450V

*Subject to technical modification without notice.*

*Typographical and other errors do not justify claim for damages.*

## SPECIFICATION

<b>Number of Poles</b>	2
<b>Body Material</b>	Steatite
<b>Colour</b>	White
<b>Min Conductor Size (Sq mm)</b>	1.5
<b>Max Conductor Size (Sq mm)</b>	10
<b>Min Conductor Size AWG</b>	20
<b>Max Conductor Size AWG</b>	10
<b>Max Current (A)</b>	41
<b>Max Voltage (V)</b>	750
<b>Min Temperature Rating °C</b>	-40
<b>Max Temperature Rating °C</b>	300-350
<b>Pitch (mm)</b>	14
<b>Height (mm)</b>	21
<b>Width (mm)</b>	22
<b>Length (mm)</b>	24
<b>Comments</b>	M3.5 conductor clamping screws, maximum torque=0.8Nm