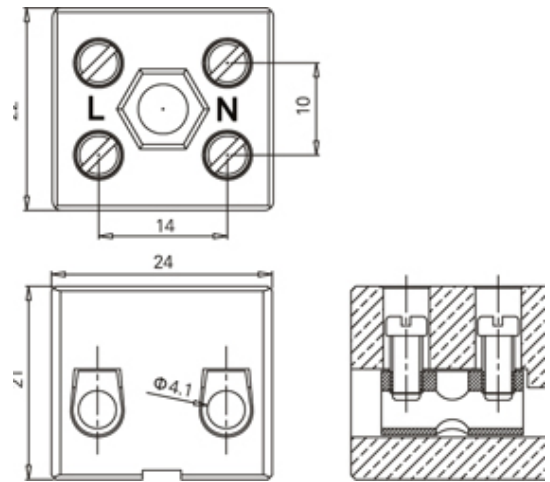


Steatite Ceramic High Temp. Blocks

Range: Emech Terminals/Accessories

Order Code: DESTB-0402



DESCRIPTION

2 Pole steatite ceramic high temperature blocks terminal 41a
750v

EMECH TERMINALS/ACCESSORIES FEATURES

- Chemical Resistance
- Non-Flammability
- Heat resistance
- Dimensional stability up to 800°C
- Corrosion resistance
- Temp Rating of -40°C to +300-350°C
- Max Voltage 450V

Subject to technical modification without notice.

Typographical and other errors do not justify claim for damages.

SPECIFICATION

Number of Poles	2
Body Material	Steatite
Colour	White
Min Conductor Size (Sq mm)	1.5
Max Conductor Size (Sq mm)	10
Min Conductor Size AWG	20
Max Conductor Size AWG	10
Max Current (A)	41
Max Voltage (V)	750
Min Temperature Rating °C	-40
Max Temperature Rating °C	300-350
Pitch (mm)	14
Height (mm)	21
Width (mm)	22
Length (mm)	24
Comments	M3.5 conductor clamping screws, maximum torque=0.8Nm