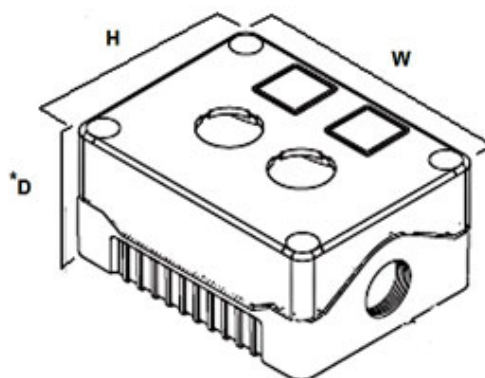


Dual Pushbutton, Single Switch Housing

Range: Control Stations

Order Code: SCS-PSD-GG-RGX (1DE.01.10AG)



*Enclosure only except 1DE .SP series where D includes actuator height

DESCRIPTION

Grey cover, grey base, double push button red/green

*Subject to technical modification without notice.
Typographical and other errors do not justify claim for damages.*

CONTROL STATIONS FEATURES

- Customised control station service available - please ask for details.
- Insulation resistance - >100M Ω @ 500VDC
- Enclosures sealed up to IP56
- Unique snap on Din Rail and Flange brackets
- Dust & waterproof for short-term submersion
- 4 sizes available! Accepting 1-4 push button switches
- 2 contact blocks fitted as standard
- Different voltage ratings are available
- Contact material - Silver Bifurcated and serrated
- Operating Temperature -10 to +65°C
- Contact rating - AC12 Resistive / AC15 Electromagnetic - 240V (3A) / 415V (1.5A)
- Mechanical life - 1 million operations

Features may vary by product throughout the range.

SPECIFICATION

| | |
|----------------------------------|--|
| Accessories Available | DIN rail and flange snap-on brackets |
| Base Colour | Grey |
| Base Style | Standard base |
| Depth (mm) | 53 |
| Enclosure Material | ABS-UL94-HB |
| Height (mm) | 80 |
| IP Rating | IP56 |
| Lid Colour | Grey |
| Min Temperature Rating °C | -10 |
| Max Temperature Rating °C | 65 |
| Number of Switches | 1 |
| Size (mm) | 80x73x53 |
| Switch 1 Style | Pushbutton non-illuminated |
| Switch 1 Substyle | Dual pushbutton red/green, single switch housing |
| Width (mm) | 73 |