

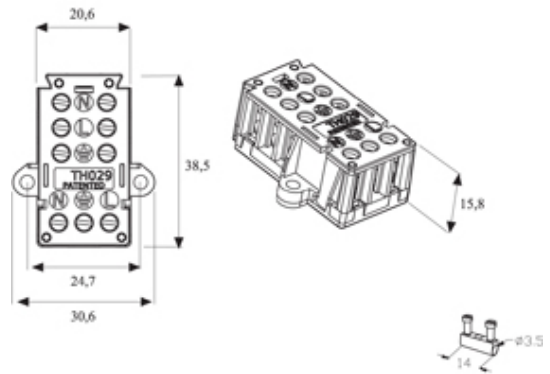
TeeBlock

Range: Weatherproof/Waterproof Connectors

Part Number: THR.029.S3A



Product Image
Not Available



DESCRIPTION

3+3 Pole TeeBlock screw - end barrier contact terminal 32A 450V

WEATHERPROOF/WATERPROOF CONNECTORS FEATURES

- Unique T style connector TH029 saves installation time and effort
- Range includes insulation piercing options
- Large conductor size capability with rising clamp fitting of TH027 enables easier installation
- The 3 and 5 pole options of TH026 gives flexibility of configuration when used with the Teebox
- TH032, 4+4 terminals colour for LED applications

Features may vary by product throughout the range.

Subject to technical modification without notice.

Typographical and other errors do not justify claim for damages.

SPECIFICATION

Max Current (A)	32
Max Voltage (V)	450
Number of Poles	3+3
Max Conductor Size (Sq mm)	4
Min Temperature Rating °C	-40
Max Temperature Rating °C	125
Temperature "T" Rating	T125
Body Material	PA66
Terminal Type	Screw - end barrier contact

INDUSTRY ACCREDITATIONS

