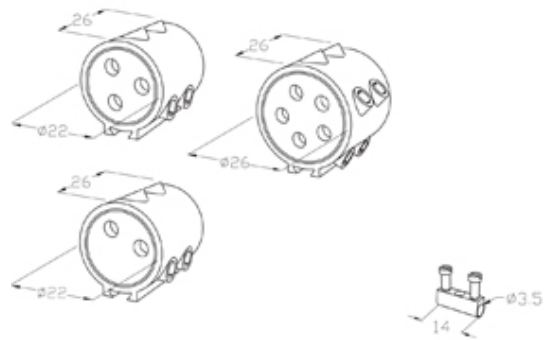


TeeDrum

Range: Weatherproof/Waterproof Connectors

Order Code: CWP-ACS-32A-2X05G (THB.021.B1A)



DESCRIPTION

5 Pole compact TeeDrum end barrier contact terminal

WEATHERPROOF/WATERPROOF CONNECTORS FEATURES

- The TeeDrum solution can be used as a stand alone connectors or installed in teetube
- TeeDrum solutions have been designed to guarantee safety and reliability of the connections
- The combination of the TeeDrum & teetube solution offers protection up to IP68
- TH021 is finger safe

Features may vary by product throughout the range.

Subject to technical modification without notice.

Typographical and other errors do not justify claim for damages.

SPECIFICATION

| | |
|----------------------------|-----------------------------|
| Max Current (A) | 32 |
| Max Voltage (V) | 450 |
| Number of Poles | 5 |
| Max Conductor Size (Sq mm) | 4 |
| IP Rating | 20 |
| Min Temperature Rating °C | -40 |
| Max Temperature Rating °C | 125 |
| Temperature "T" Rating | T125 |
| Body Material | PA66 |
| Terminal Type | Screw - end barrier contact |

INDUSTRY ACCREDITATIONS

