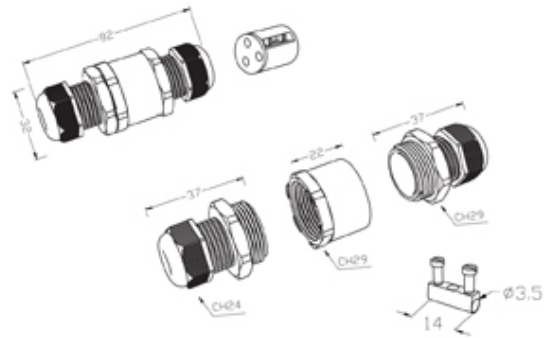


# TeeTube

## Range: Weatherproof/Waterproof Connectors

Order Code: CWP-TIZ-BDS-O03 (THB.390.A1A)



### DESCRIPTION

TeeTube Mini 3 Pole Screw - end barrier contact 7mm to 13.5mm, 4 mm max conductor size IP68 32A 450V 2 cable entries

### WEATHERPROOF/WATERPROOF CONNECTORS FEATURES

- Tough, robust construction with large cable range acceptance
- Straight through, T splitter and Y splitter versions available
- Dual terminal versions available for easy fitting and looping of conductors (2+2 and 3+3 poles)
- Temperature rating of -40°C to +125°C

*Features may vary by product throughout the range.*

*Subject to technical modification without notice.*

*Typographical and other errors do not justify claim for damages.*

## SPECIFICATION

Type of Installation	Joint connector (re-usable/re-accessible)
Type	In-line connector
Colour	Black (Plastic components) - Green (Rubber components)
Overall Dimensions (mm)	32.0 x 90.0
Cable Entries	2
Circuit Wiring Diagram	Power/Signal
Max Current (A)	32
Max Voltage (V)	450
Number of Poles	3
Marking	L-N-E
Termination	Screw
Terminations Thread/Tightening Torque	M3 - max. 0.8 Nm
Multi-Stranded Conductor Cross-Section Without Ferrule MIN (mm <sup>2</sup> )	0.5
Multi-Stranded Conductor Cross-Section Without Ferrule MAX (mm <sup>2</sup> )	4
Min Conductor Size (Sq mm)	0.5
Max Conductor Size (Sq mm)	4
Conductor Stripping Length (mm)	30
Cable Sheath Stripping Length (mm)	8
Recommended Types of Cable	H05xxx/H07xxx
Minimum Cable Diameter (mm)	7
Maximum Cable Diameter (mm)	13.5
Tightening Torque of Cable Gland-Connector	2.5 Nm
Tightening Torque of Nut-Cable Gland	2.5 Nm
IP Rating	68
IK rating	IK07
Salt Mist	Salt mist test : EN60068-2-11:2000
Min Temperature Rating °C	-40
Max Temperature Rating °C	125
Temperature "T" Rating	T125
Proof Tracking Index (PTI)	PTI 250
Body Material	PA66 GF UL94 V0
Connector Material	PA66 GF UL94 V0
Cable Gland Material	PA66 UL94 V2
O-Ring Material	Silicone
Gasket Material	TPE
Material Property	Halogen Free
Terminal Material	Brass
Terminal Screw Material	Steel

## INDUSTRY ACCREDITATIONS

