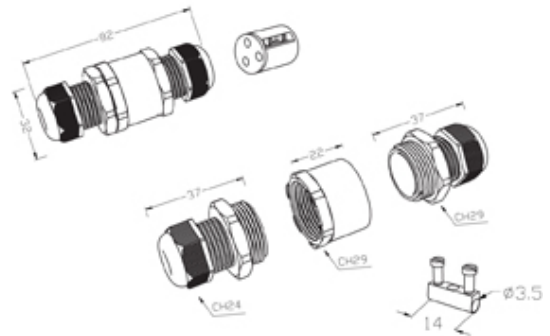


TeeTube

Range: Weatherproof/Waterproof Connectors

Part Number: THB.390.D3A.5



DESCRIPTION

TeeTube with innovative cable glands, 3 Pole Screw - end barrier contact 10.5mm to 14mm on one gland 14mm to 17mm on the other gland, 4 mm max conductor size IP68 32A 450V 2 cable entries

WEATHERPROOF/WATERPROOF CONNECTORS FEATURES

- Tough, robust construction with large cable range acceptance
- Straight through, T splitter and Y splitter versions available
- Dual terminal versions available for easy fitting and looping of conductors (2+2 and 3+3 poles)
- Temperature rating of -40°C to +125°C

Features may vary by product throughout the range.

Subject to technical modification without notice.

Typographical and other errors do not justify claim for damages.

SPECIFICATION

Cable Entries	2
Max Current (A)	32
Max Voltage (V)	450
Number of Poles	3
Max Conductor Size (Sq mm)	4
Minimum Cable Diameter (mm)	10.5
Maximum Cable Diameter (mm)	17
IP Rating	68
Min Temperature Rating °C	-40
Max Temperature Rating °C	125
Temperature "T" Rating	T125
Body Material	PA66 / TPE
Fixing System	Cable
Terminal Type	Screw - end barrier contact

INDUSTRY ACCREDITATIONS

