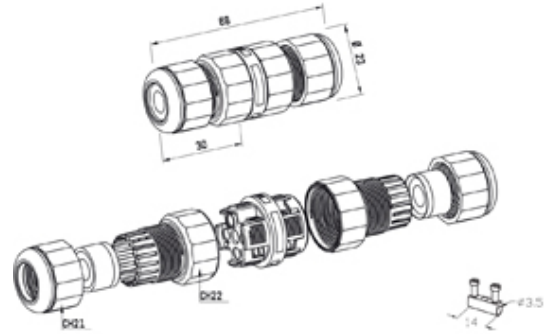


THB.391.A4A

TeeTube Mini 4 Pole Screw - end barrier contact 7mm to 12mm, 4 mm max conductor size IP68 32A 450V 2 cable entries



SPECIFICATION

Cable Entries	2
Number of Poles	4
Terminal Type	Screw - end barrier contact
Body Material	PA66 / PBT / TPE
IP Rating	68
Max Conductor Size (Sq mm)	4
Max Current (A)	32
Max Voltage (V)	450
Min Temperature Rating °C	-40
Max Temperature Rating °C	125
Minimum Cable Diameter (mm)	7
Maximum Cable Diameter (mm)	12
Fixing System	Cable
Series	TH391
Temperature "T" Rating	T125

DISTRIBUTORS

