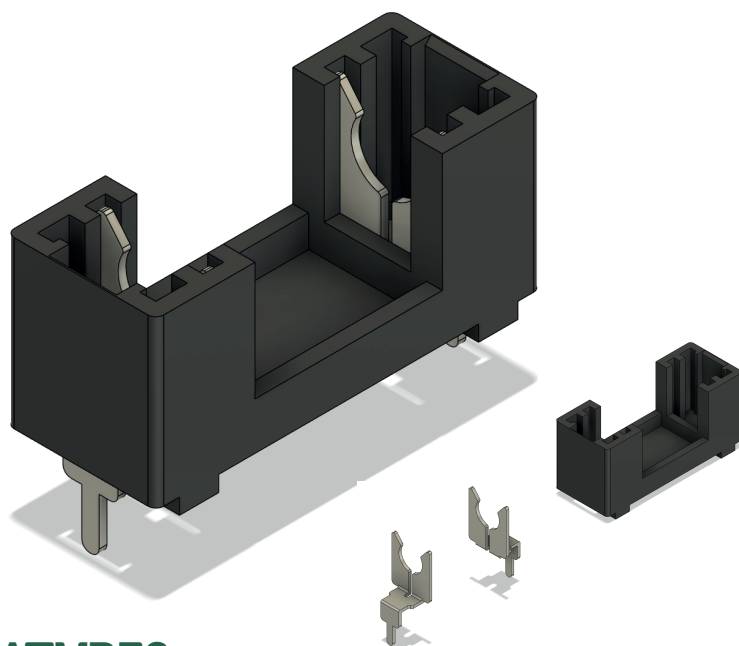


# Technical Information

Product Code: CFH-PEA-22.60I-BK (DFH14N)

# FUSE HOLDER - PCB MOUNT



## OVERVIEW

PCB semi-enclosed fuse holder, suitable for 5x20 fuses. Made from a high quality PA66 that features UL94-V0 flammability resistance, rated up to 20A.

## FEATURES

Color: Black

Body Material: Polyamide PA66

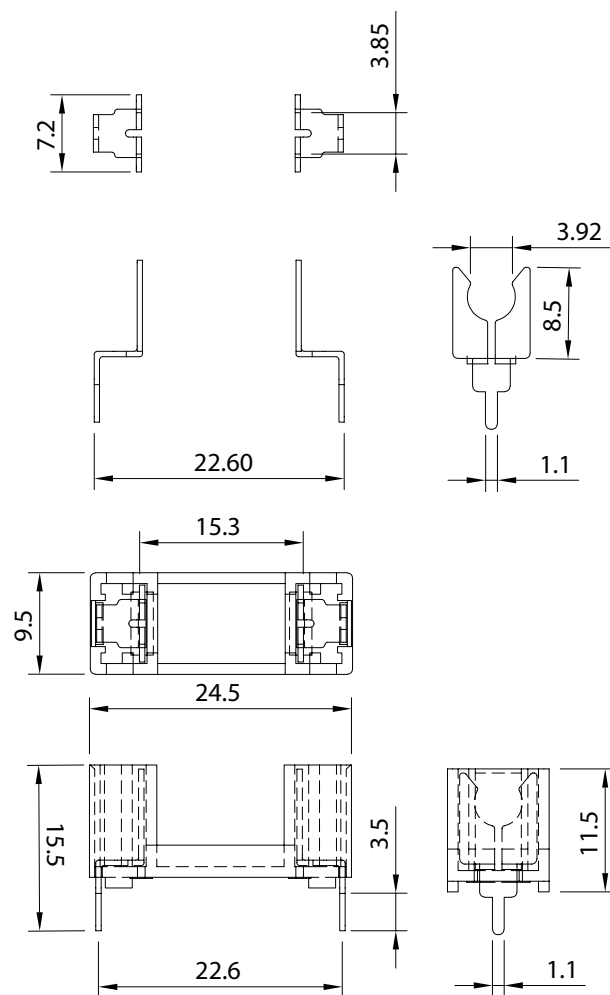
Flammability Rating: UL94-V0

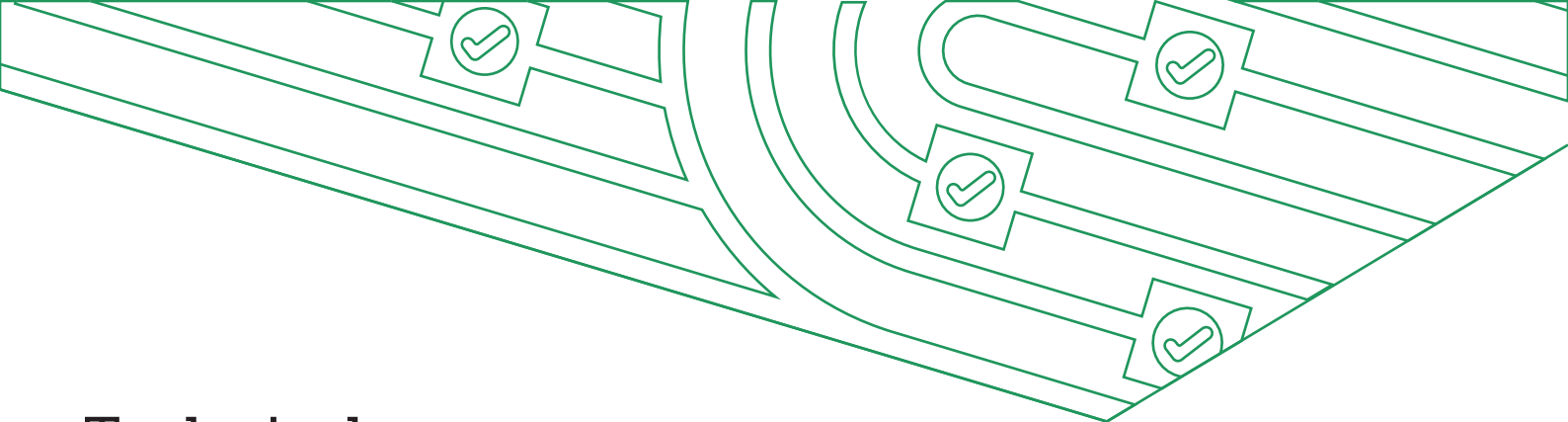
Electrical Rating: 6.3A / 250VAC (VDE)  
20A / 250VAC (UL)

Temperature Rating: -30°C / +85°C

Pack Size: 2,000

Reccomended PCB Hole Size: 1.50mm





# Technical Information

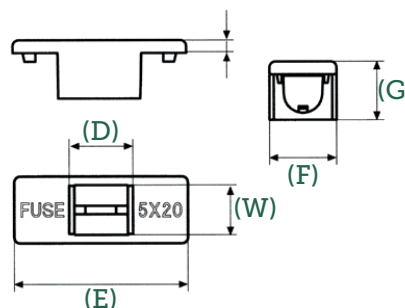
Product Code: CFH-PCA-22.60I-BK (DFH14HBN)

## FUSE HOLDER - COVER



### OVERVIEW

Fuse retaining insulation cover for use with CFH-PEA-22.60I-BK pcb mount fuse holder. moulded in UL94-V0 flame resistant PA66.



### FEATURES

Color: Black

Body Material: Polyamide PA66

Flammability Rating: UL94-V0

Temperature Rating: -30°C / +85°C

Pack Size: 2,000

Length (E): 24.40mm

Width (F): 9.40mm

Height (G): 8.20mm

Window Length(D): 9.00mm

Window Width (W): 7.00mm